

The SVF Series H7 is a high pressure ball valve designed to meet applications up to 6,000 psi. The H7 features a carbon or stainless steel body and is available in a variety of alloy materials. This engineered valve adds safety and reliability to high pressure systems and applications in Offshore, Oil & Gas, Petrochemical, Power and Refining.

**Features**

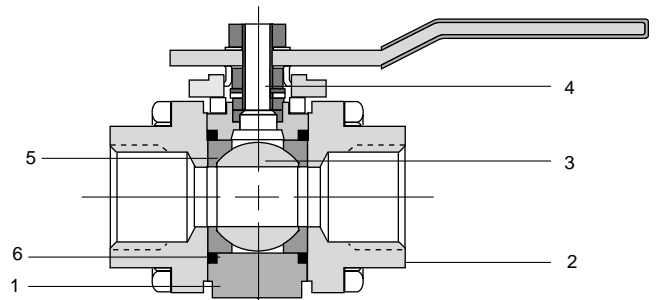
**1/2" - 4"**

- ▲ 1/2" - 2" 2500 ANSI (6000 psi)
- ▲ 3" - 4" 1500 ANSI (3800 psi)
- ▲ Designed to ANSI B16.34 and BS 5351
- ▲ High pressure to 6,000 psi
- ▲ Ideal for use with hydraulics, oil & gas and compressed gas systems
- ▲ Available to NACE MR-0175
- ▲ Available to API-607-4 and BS 6755



**Materials**

Item	Description	Material
1	Body	Carbon Steel, 316 SS
2	Body Connector	Carbon Steel, 316 SS
3	Ball	316 SS
4	Stem	17-4 SS
5	Seat	Delrin, PEEK
6	Body Connector Seal	NBR, Graphite (fire safe)



**Dimensions & Weights (ins., lbs)**

Size	A	B	C	D	Wt.
1/2"	2.78	1.50	7.00	0.44	3.52
3/4"	3.49	1.60	7.00	0.56	5.28
1"	3.69	2.20	7.60	0.56	5.28
1-1/4"	4.25	2.40	7.60	0.81	9.90
1 1/2"	5.04	2.90	11.30	1.25	20.90
2"	6.14	3.10	11.30	1.50	28.82
3"	8.82	5.70	15.70	2.50	85.36
4"	10.43	6.30	24.00	3.25	140.14

